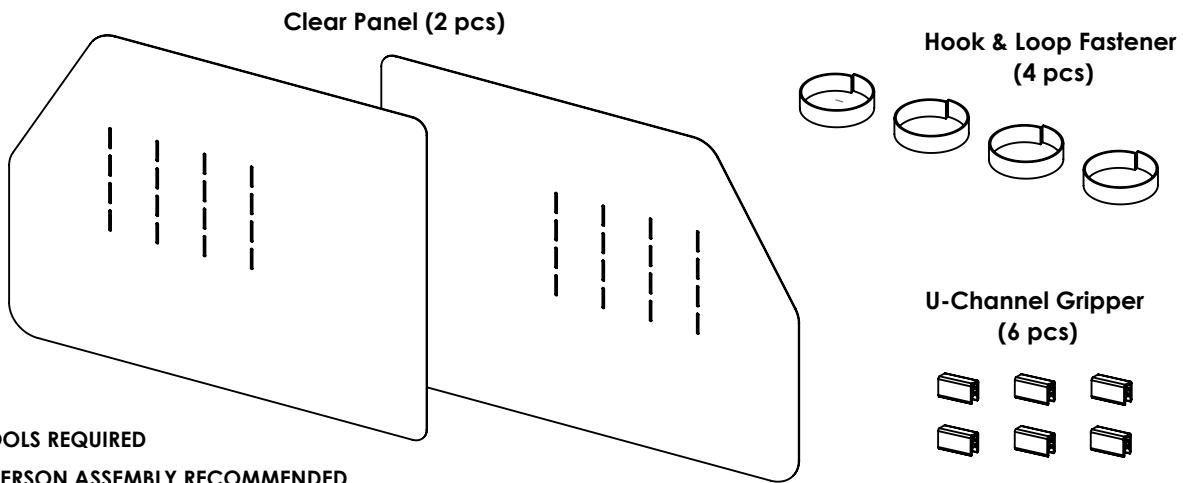


PARTS LIST:

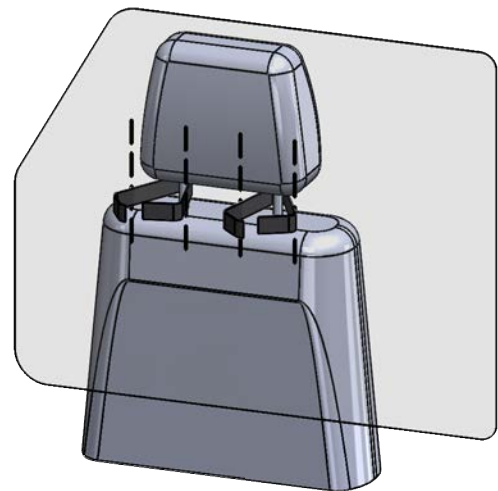


**** IMPORTANT: Before you begin installation of your Car Shield, make sure you adjust your front driver's side seat and front passenger's side seat so that their seat backs are even with each other. ****

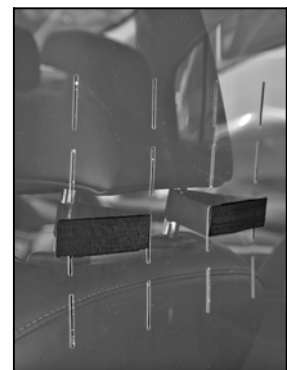
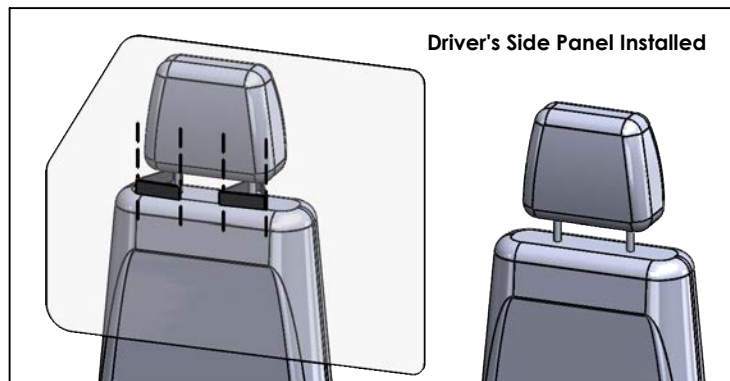
STEP 1: Peel off the protective plastic film from both sides of Clear Panels.

STEP 2: Take one of your Clear Panels and place it up against the driver's side headrest of your vehicle. While one person holds the panel in place, have the other person feed the Hook & Loop fasteners through the corresponding matrix of slots on the Left half of your Shield and around the stalks of the Driver's Side Headrest. Loop one fastener around each headrest stalk.

NOTE: Ensure your Headrest is extended enough so that there is space between the top of the seat and bottom of headrest for ease of assembly.



STEP 3: Secure left side of Shield to Driver's Side Headrest by tightening the Hook and Loop Fasteners around stalks and attaching fastener to itself.



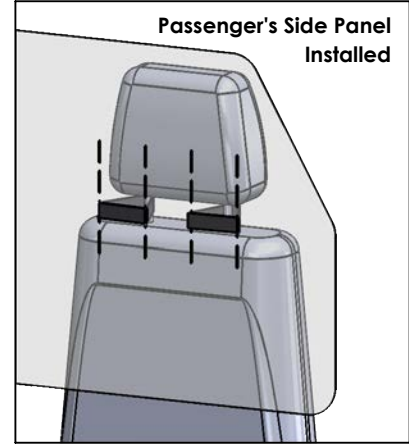
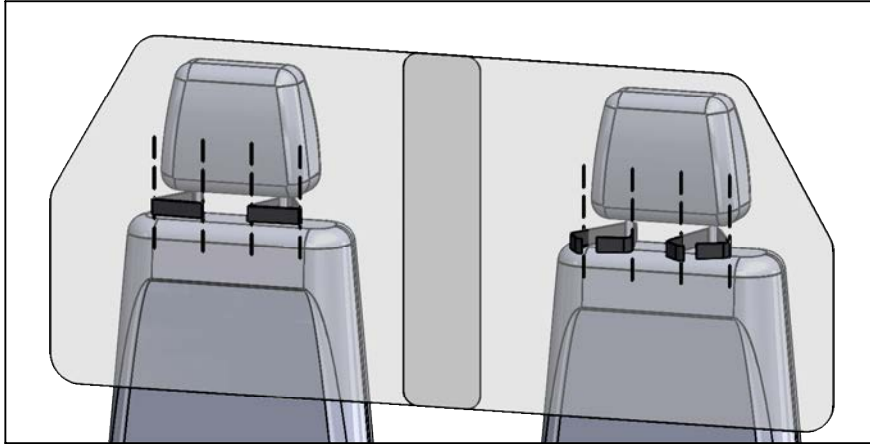
Car Shield

ASSEMBLY INSTRUCTIONS

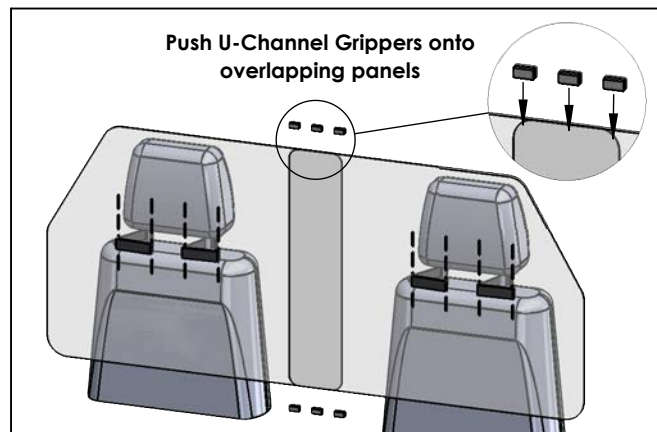
READ ALL INSTRUCTIONS BEFORE YOU BEGIN. DO NOT JUMP AHEAD OF ANY STEP.

STEP 4: Repeat STEPS 2 & 3 for attaching the right half of your Car Shield to Passenger's Side Headrest.

NOTE: Your two clear panels will overlap in the middle.



STEP 5: Once both halves of your Car Shield are secured to each Headrest with the Hook and Loop Fasteners, take supplied U-Channel Grippers and push onto overlapping panels in the middle to hold the two panels together. Use three Grippers on the top, and three Grippers on the bottom.



ASSEMBLY COMPLETED



13602